

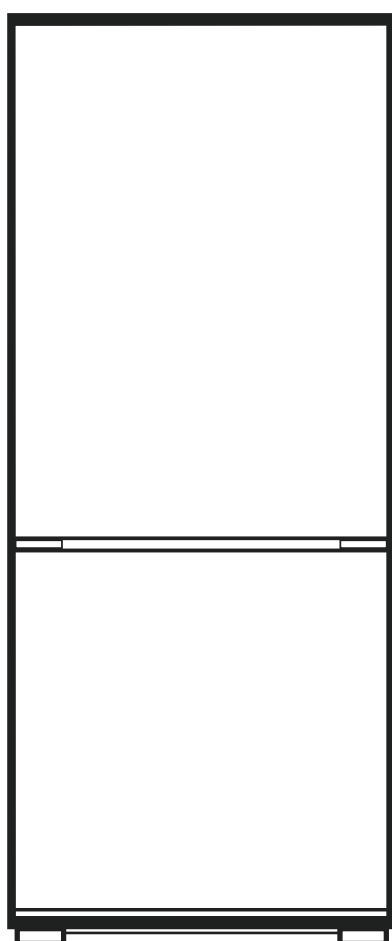
BYSTRO

EN

Built-In Fridge / Installation and User Manual

Thank you for choosing this product.

This Installation and User Manual contains important safety information and instructions on the operation and maintenance of your appliance. Please take the time to read this User Manual before using your appliance and keep this book for future reference.



BYS-F438SSBI





2
YEAR
GURANTEE

Dear Customer,

Thank you for choosing Our product. We would like you to be satisfied with our product, which has been produced in our highly qualified, technological and modern facilities.

You can use your refrigerator with pleasure and confidence for many years by performing required maintenance and showing necessary care. Read the whole manual. Retain the manual during use of the product. If you hand the product over to someone else, give them the manual as well.

⚠ This Operating Manual maybe prepared for multiple models. Some of the features mentioned may not be available in your product.

Symbol	Meaning
	Important Information
	Warning - Caution
	Risk of Electric Shock
	Risk of Fire

1 - Safety Instructions	4
2 - Installation	9
Preparation before Installation.....	9
List of Installation accesories.....	9
Installation Dimension.....	10
Fixation of refrigerator and cabinet.....	12
Adjustment of refrigerator cabinet door.....	16
Installation of refrigerator accessories.....	22
Power Requirements.....	23
3 - Use and operation	24
Product Components.....	24
Product Features.....	27
Control Panel.....	28
Instructions for storing food.....	30
4 - Maintenance and cleaning	34
Cleaning.....	34
5 - Troubleshooting	36
Solving operational problems.....	36
Normal Phenomena.....	37
6 - Technical Specifications	38

We invite you to read this instruction booklet carefully, before installing and using the equipment. It is very important that you keep this booklet together with the equipment for any future consultation.

If this equipment should be sold or transferred to another person, make sure that the new user receives the booklet, so that he can learn how to operate the appliance and read the corresponding notice.

Caution

- According to EN Standard -
 - This appliance can be used by children aged from 8 years and above and persons with reduced physical, sensory or mental capabilities or lack of experience and knowledge if they have been given supervision or instruction concerning use of the appliance in a safe way and understand the hazards involved. Children shall not play with the appliance. Cleaning and user maintenance shall not be made by children without supervision.
 - Children aged from 3 to 8 years are allowed to load and unload refrigerating appliances.
- According to IEC standard -
 - This appliance is not intended for use by persons (including children) with reduced physical, sensory or mental capabilities, or lack of experience and knowledge, unless they have been given supervision or instruction concerning use of the appliance by a person responsible for their safety.

- Children should be supervised to ensure that they do not play with the appliance.
- The refrigerant isobutene(R600a) is contained within the refrigerant circuit of the appliance, a natural gas with a high level of environmental compatibility, with which is nevertheless flammable.
- During transportation and installation of the appliance, ensure that none of the components of the refrigerant circuit becomes damaged.
- The refrigerant (R600a) is flammable.



Symbol ISO 7010 W021
Warning; Risk of
fire/flammable materials!



Warning

- ⚠ The appliance must be positioned so that the plug is accessible.
- ⚠ If the power cord is damaged, it must be replaced by the manufacturer, its service agent or similarly qualified person to avoid any hazards.
- ⚠ Keep ventilation openings, in the appliance enclosure or in the built-in structure, clear of obstruction.
- ⚠ Do not use mechanical devices or other means to accelerate the defrosting process, other than those recommended by the manufacturer.
- ⚠ Do not damage the refrigerant circuit.
- ⚠ Do not use electrical appliances inside the food storage compartments of the appliance, unless they are of the type recommended by the manufacturer.
- ⚠ This unit uses R600a as the refrigerant

and cyclopentane as the foaming agent, both of these materials are easily burnt, when discarding the unit it should be kept away from sources of extreme heat.

- ⚠ Danger of electrical shock, the unit is used yellow-green grounding wire of this appliance must be grounded before operation.
- ⚠ When the refrigerator is discarded after use please follow all local laws and regulations.
- ⚠ The refrigerant and insulation blowing gas are flammable. Disposing of the refrigerant can only be done at authorized waste disposal centers. Do not expose the refrigerant or insulation to extreme heat or an open flame.
- ⚠ Do not store explosive substances such as aerosol cans with a flammable propellant in this appliance.
- ⚠ When positioning the appliance, ensure the supply cord is not trapped or damaged.
- ⚠ Do not locate multiple portable socket-outlets or portable power supplies at the rear of the appliance.
- ⚠ To avoid contamination of food, please respect the following instructions:
 - Opening the door for long periods can cause a significant increase of the temperature in the compartments of the appliance.
 - Clean regularly surfaces that can come in contact with food and accessible drainage systems.
 - Clean water tanks if they have not been used for 48h; flush the water system connected to a water supply if water has not been drawn for 5 days.

- Store raw meat and fish in suitable containers in the refrigerator, so that it is not in contact with or drip onto other food.
- Two-star frozen-food compartments are suitable for storing pre-frozen food, storing or making ice-cream and making ice cubes.
- One-, two- and three-star compartments are not suitable for the freezing of fresh food.
- If the refrigerating appliance is left empty for long periods, switch off, defrost, clean, dry, and leave the door open to prevent mould developing within the appliance.

⚠ **Risk of child entrapment.** Before you throw away your old refrigerator or freezer:

- Take off the doors.
- Leave the shelves in place so that children may not easily climb inside.

⚠ Before performing any type of installation or cleaning, disconnect the refrigerator from the power source and reset the temperature controls to the desired setting(s).

When you are finished, reconnect the refrigerator to the electrical source and reset the temperature controls to the desired setting.

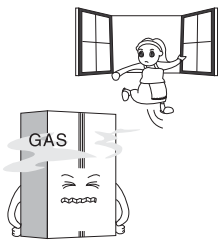
⚠ This appliance is intended to be used in household and similar applications such as

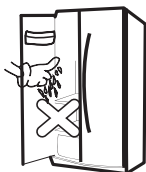
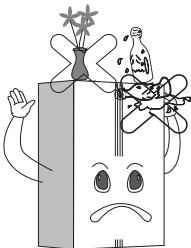
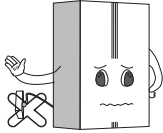
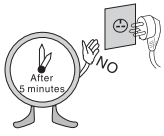
- staff kitchen areas in shops, offices and other working environments;
- farm houses and by clients in hotels, motels and other residential type environments;

- bed and breakfast type environments;
 - catering and similar non-retail applications.
- ⚠ The new hose-sets supplied with the appliance are to be used. Any old hose-sets should not be re-used.
 - ⚠ Fill with potable water only.

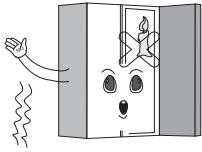
Safety and Warning Information

- This guide contains many important safety messages. Always read and obey all safety messages.
- This is the safety alert symbol. It alerts you to warnings that will inform you of any potential hazards that could hurt or kill you. These messages will also help protect your unit from damage. All safety messages will be preceded by the safety alert symbol and the hazard signal word DANGER, WARNING, or CAUTION. These words mean:
 - You could be killed or seriously injured if you don't follow the instructions .
 - You may be killed or seriously injured if you don't follow the instructions.
 - Indicates an imminently hazardous situation which if not avoided, may result in minor or moderate injury or product damage only.
- This product is applicable to 220-240V/50Hz only, and the allowable voltage fluctuation range is 187V~242V. It can not be used if the voltage frequency is not 50Hz. In order to ensure safety, the socket and its cable must be able to withstand the current of above 10A.
 - Replaceable (LED only) light source by a professional. This product contains two light sources of energy efficiency class F.
 - To reduce the risk of fire, electric shock, or injury to persons when using your product, basic safety precautions should be followed, including the following.
 - Read all instructions before using this appliance.
 - If you believe there is refrigerant leaking, do not touch the unit or the power outlet, ventilate the room and if possible turn your unit off using the circuit breaker. Call the manufacturer immediately.
 - Refrigerant will cause serious injury when coming into contact with the skin or eyes. If this happens please immediately seek out medical treatment.
 - Make sure to use a grounded power outlet. Consult a qualified electrician or service person if the ground-ing instructions are not completely understood, or if you have doubts on whether the appliance is properly grounded.





- Wait for 5 minutes or longer before reconnecting the power cord. Failure to do so may cause the freezer to fail.
- The incorrect grounding may cause breakdown and/or electric shock.
- A dedicated outlet should be used. Using several devices at one outlet may cause fire.
- Do not allow the power plug to face upward or to be squeezed at the back of the fridge. Water may be flown into or the plug may be damaged, which can cause fire or injury.
- Do not allow the power cord bent or pressed by the heavy object to be damaged.
- Unplug the power cord when cleaning, handling the interior lamp of the fridge.
- Failure to do so may result in a electric shock or other injury.
- Remove water or dust from the power plug with a dry clean cloth, do not use wet hands touch it and insert it with the ends of the pins securely connected.
- Do not use the fridge for non-domestic perposes (storing medicine or testing material, blood, using on a ship, etc.) It may cause an unexpected risk such as fire, electric shock, deterioration of stored material or chemical reaction.
- Do not use or store inflammable materials ether, benzene, alcohol, medicine, liquid propane gas, spray or cosmetics near or in the fridge. It may cause explosion or cause a fire.
- Do not put any glassware that is not design for use in a fridge or freezer inside. The glass may crack or break which can lead to injury.
- Do not place the heavy object or the dangerous objects such as: cup, flower vase, cosmetics, medicine or any containers with water in the fridge.
- It may be dropped and cause injury, fire or electric shock when opening or closing the door.
- Do not touch food or containers in the freezer with wet hands. It may cause frostbite.
- Do not spray water at the outside or the inside of the fridger do not clean it with benzene or thinner.
- Do not clean the unit with any acidic cleaners, abrasive brushes,



- sharp tools, and/or any cleaner that contains benzene.
- Do not use a drier to dry the inside of the unit, nor light a candle to remove odour. It may cause an explosion or fire.
- Do not cling to the door or the trays of the door. It may make the fridge fall down and cause serious injuries or even death. Especially, do not allow the children to do the above.
- Do not put ice in a thin crystal cup or ceramic ware. It may break cup or ceramic ware to cause injury.
- Do not allow anyone except a qualified service person to disassemble, repair, or alter the fridge. Unless directed by the manufacturer. It may cause injury, electric shock or fire.
- This appliance is intended to be used in household and similar applications such as
 - staff kitchen areas in shops, offices and other working environments;
 - farm houses and by clients in hotels, motels and other residential type environments;
 - bed and breakfast type environments;
 - catering and similar non- retail applications.
- Do not install the fridge in a wet or high humidity environment. Failure to do so will cause premature deterioration, cause the unit to run more frequently and can cause an electrical shock.
- Install the appliance in a dry, well-ventilated room.
- The appliance should be placed close to the wall outlet, it is easy to cut off the power supply at the time of the accident.
- Do not expose the unit to extreme heat or any open flame.
- Keep your unit in a well ventilated area, make sure if the unit is built-in that there is adequate air flow around the unit.
- Do not cover or obstruct the exhaust area on the back of your unit, failure to do so may cause electrically shock or injury. It may cause electric shock or injury.



This marking indicates that this product should not be disposed with other household wastes throughout the EU. To prevent possible harm to the environment or human health from uncontrolled waste disposal, recycle it responsibly to promote

the sustainable reuse of material resources. To return your used device, please use the return and collection systems or contact the retailer where the product was purchased. They can take this product for environmental safe recycling.

Preparation before Installation

- Please follow the installation steps and requirements of the refrigerator (the Product) below, to ensure its normal functioning.

Notes before Installation

i Installation Position


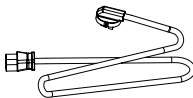
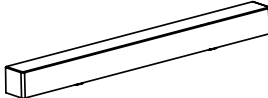
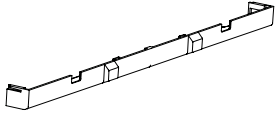
- Do not place the Product under direct sunlight, or near the heating electric appliance, such as hearth, oven or dish-washing machine.



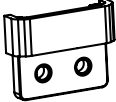
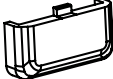
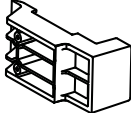
Installation of power supply

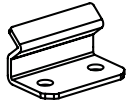



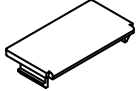
- The Product should be such installed to plug/unplug the power plug easily.
- The Product's plug should be inserted in a specific socket, to avoid accidental power failure. Do not insert the power plug of other electric appliances in the specific socket of the Product, nor use the extended line or multipoint adapter, for the multipoint adapter may fall down from the wall due to the total weight of several power lines.
- Check the Product's nameplate for the requirements of power supply.
- The Product must be grounded properly.

List of Installation accessories

- The bottom air outlet hood is located in the top foam, while the rest of installation parts are located in the attached bags.

1. Bottom air inlet/outlet hood	2. Power cord	3. Upper decoration hood	4. Lower decoration hood
			
Qty.: 1	Qty.: 1	Qty.: 1	Qty.: 1

5. Cabinet Fixtures	6. Cabinet Fixtures Cover	7. Box fixing frame	8. Cover of box fixing frame	9. Limit guide piece
				
Qty.: 2	Qty.: 2	Qty.: 2	Qty.: 2	Qty.: 2

10. Cabinet fixing plate	11. Cross recessed flat head tapping screw	12. Cross recessed countersunk head screws	13. Screw cap	14. Freeze decorative cover
				
Qty.: 4	Qty.: 23	Qty.: 4	Qty.: 4	Qty.: 3

Note

- The bottom air outlet hood is located in the top foam, while the rest of installation parts are located in the attached bags.

Installation Dimension

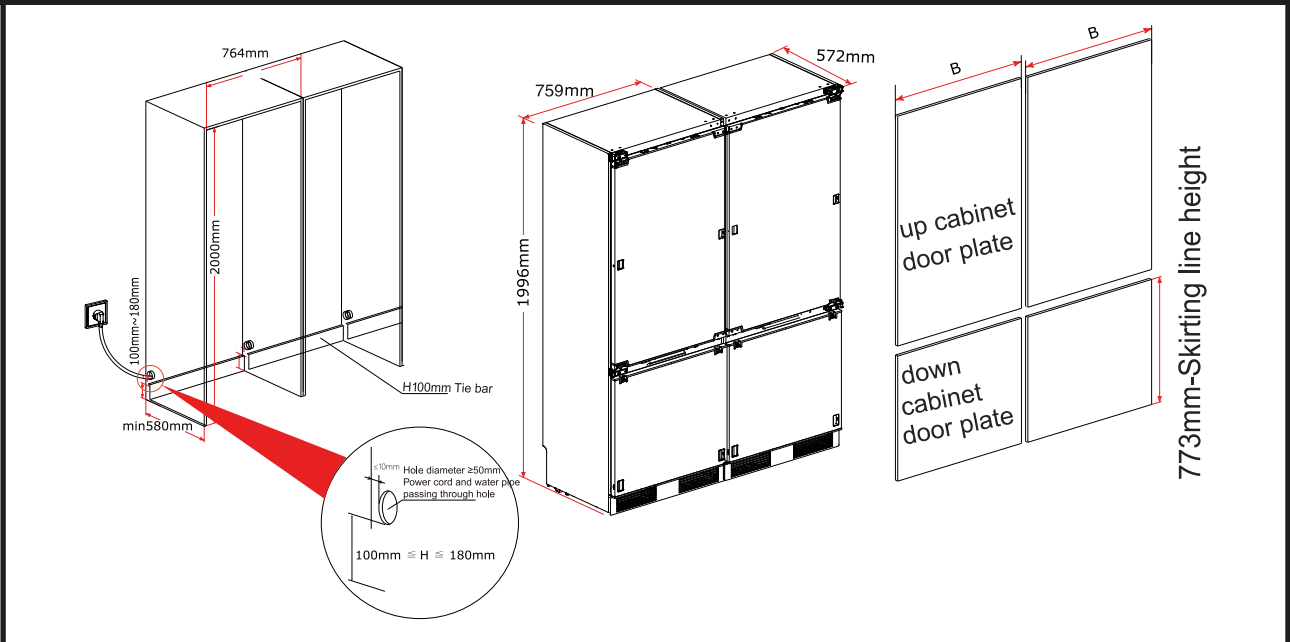
- Basic dimensions (refrigerator + cabinet)

Cabinet hole size (MM)	
Width	764
Depth	>= 580
Height	2000
Refrigerator dimensions (W*D*H)	759*572*1996

- Ventilation of appliance, clearance showed below shall be instructed.
- The appearance and specifications of the actual product may differ depending on the model.

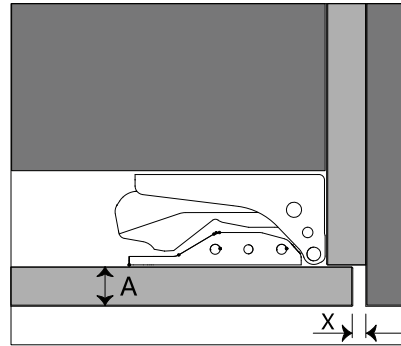
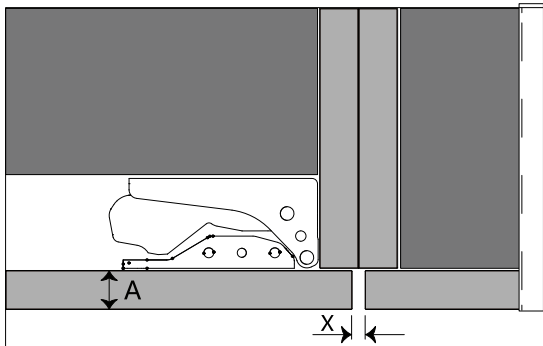
Clearances mm				
Top	Left side	Right side	Rear	Bottom
4	4	4	8	0

Fig. Cabinet Dimensions



Full Lap Mode 1

Full Lap Mode 2



A = Thickness of refrigerator cabinet door plate;

B = Width of refrigerator cabinet door plate; X = Clearance;

Refrigerator Door Plate Thickness A (mm)

Spacing X (mm)

Ref. Door Plate Width B (mm)

Full Lap 1

Full Lap 2

16-22	4	796	794
23-25	4	796 (R>=7)	794 (R>=9)

For example, the design clearance should be 4mm when the thickness of external door plate is 20mm. The width of cabinet door plate is 796mm in full lap mode 1, or 794mm in full lap mode 2.

Cabinet Requirements

1. The upper cabinet door width is B; the height is determined by the cabinet;
2. The door plate and cabinet are provided with full lapping;
3. The skirt line height is within 80-120mm; otherwise, it may affect the Product's cooling;
4. The hole for power cable and water pipe can be drilled at single side or both sides based on the actual conditions;
5. The power socket should be located in the adjacent cabinet;

Installation Tools

The following installation tools are carried by professional installers

1. Allen wrench (M3);
2. Electric gun;
3. Tape;
4. Hexagon nut wrench;
5. Tooling plate;
6. Limit guide piece;
7. Milling L- wrench.

Cabinet Inspection

1. Check if the dimensions of cabinets and door plate conform to the requirements (refer to the dimension drawing);
2. Check the power cable (refer to dimension drawing);
3. Check if the power socket has normal power supply. The socket should be placed outside the refrigerator cabinet and close to the cabinet hole, to ensure

easy plugging/unplugging of power socket.

4. Check if the ground is flat;

Make sure the requirements above are met before continuing the next step of installation.

Refrigerator Unpacking

1. Remove the Product's package box and take down the top foam; the bottom air inlet/outlet hood is located in the top foam;
2. Remove the protective foam at lateral sides of the Product and inside the Product;
3. Uplift the Product together with others, in order to remove the foam pad under the Product;
4. Open the Product's door and take out the articles, such as installation accessories.



Warning

- The Product should be installed and fixed by specification to avoid hazards due to instability.
- Please refer to Pg 9 List of installation accessories

Fixation of refrigerator and cabinet

1. Open the Product's door, insert 2 limit guide pieces into the 2 holes of upper and middle 2 hinges, then close the door. On the other side, install one cabinet fixture, and install one cabinet fixture onto the cabinet, using 2 cross recessed countersunk head screws.

Fig. 1A

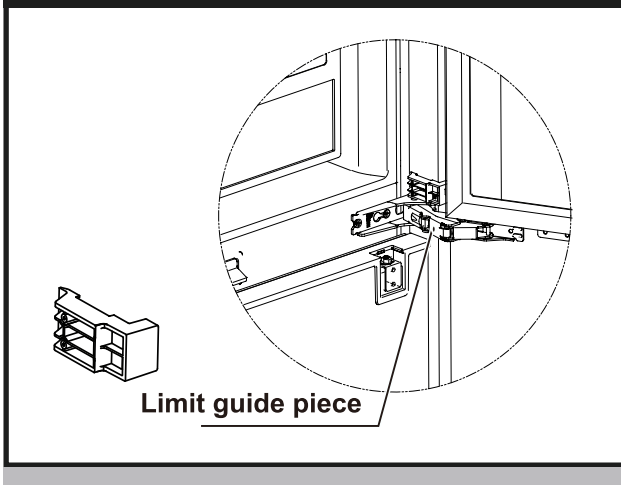


Fig. 2

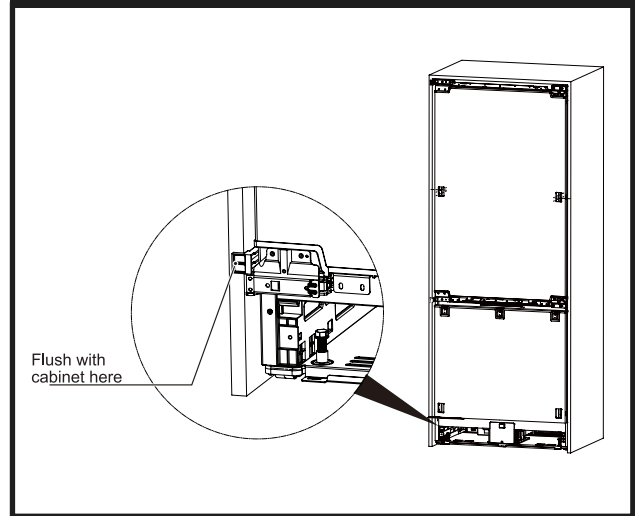
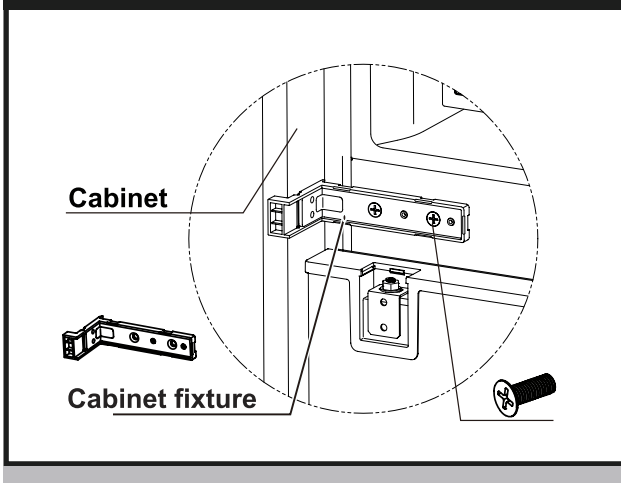
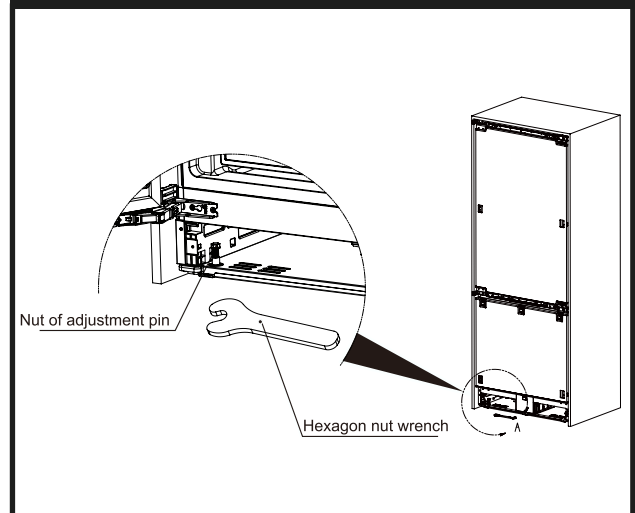


Fig. 1B



nuts on adjustment pin with a hexagon nut wrench clockwise to uplift the front part of the Product, or rotate the nuts anticlockwise to lower the front part. Adjustment is done when both upper and middle limit guide pieces are fitted with the cabinet surface (Fig. 3).

Fig. 3



2. Insert the power cable into the lower jack socket behind the product; insert the plug of power cable to the reserved socket through the cabinet hole.
3. Push the Product into the cabinet and pull the power cable at the same time, to avoid knotting and collision of power cable in the cabinet.
4. Stop pushing the Product when the lower end cover of the lower refrigerator drawer door body is flush with the face of the cabinet. (Refer to Fig. 2) Rotate the

5. Open the Product's door, take down the limit guide piece of one hinge, and install the box fixing frame with two self-

tapping screws. Replace the limit guide piece of other hinges one by one. On the other side, using 2 cross recessed countersunk head screws to install one cabinet fixture onto the cabinet. After installing, break off this part of the cabinet fixture. (refer to Fig. 4).

Fig. 4A

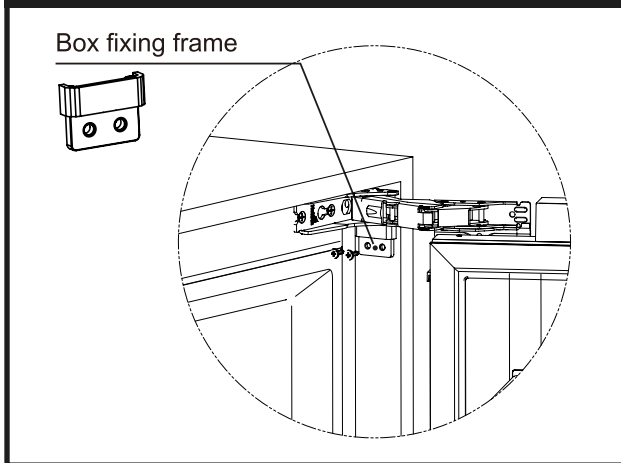
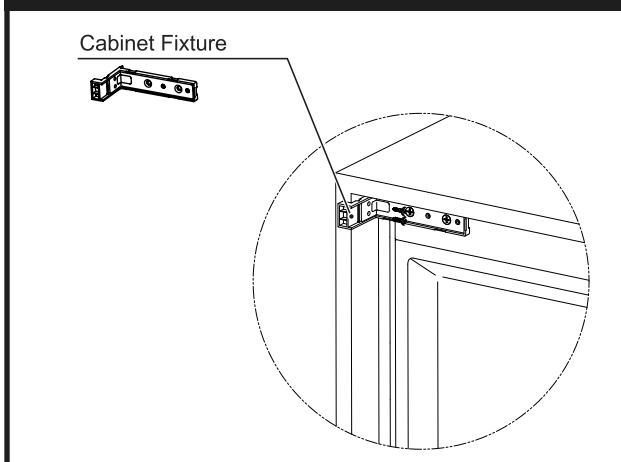


Fig. 4B



6. Install the cover of box fixing frame after it is fixed. And cover the cabinet fixture. (Refer to Fig. 5).

Fig. 5A

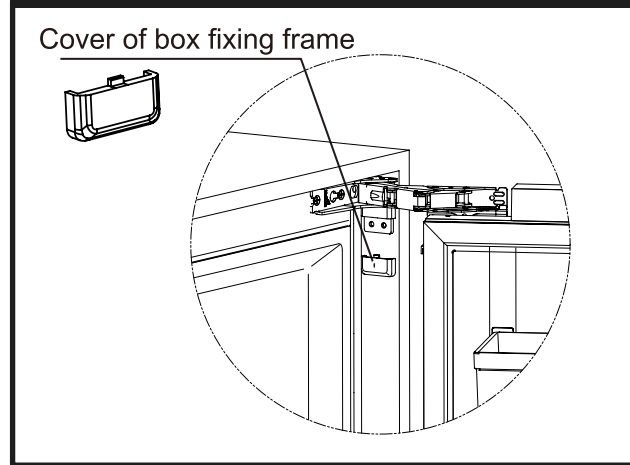
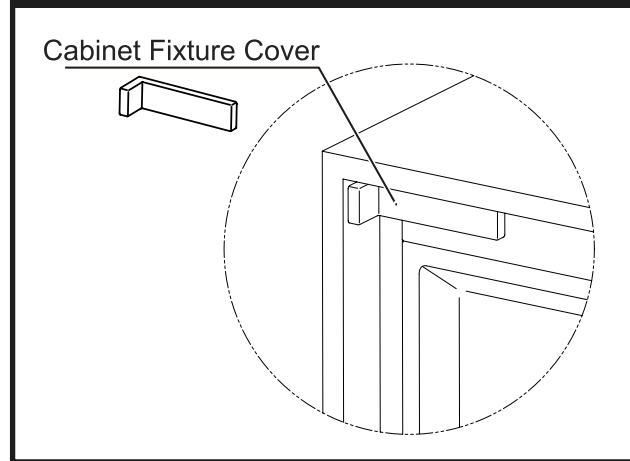


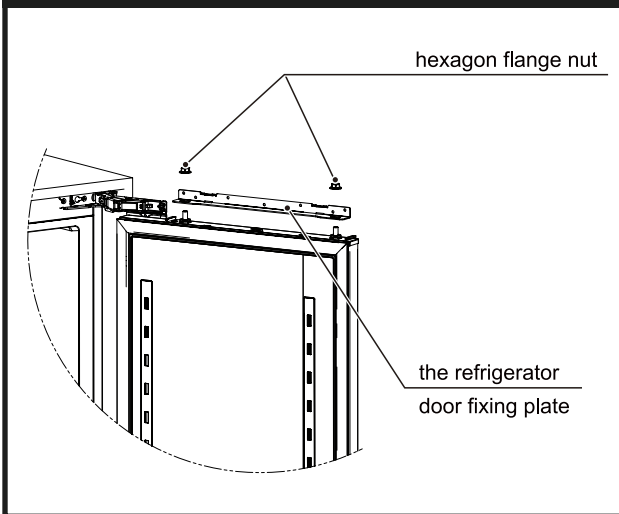
Fig. 5B



Installation of the cabinet door and the refrigerator door

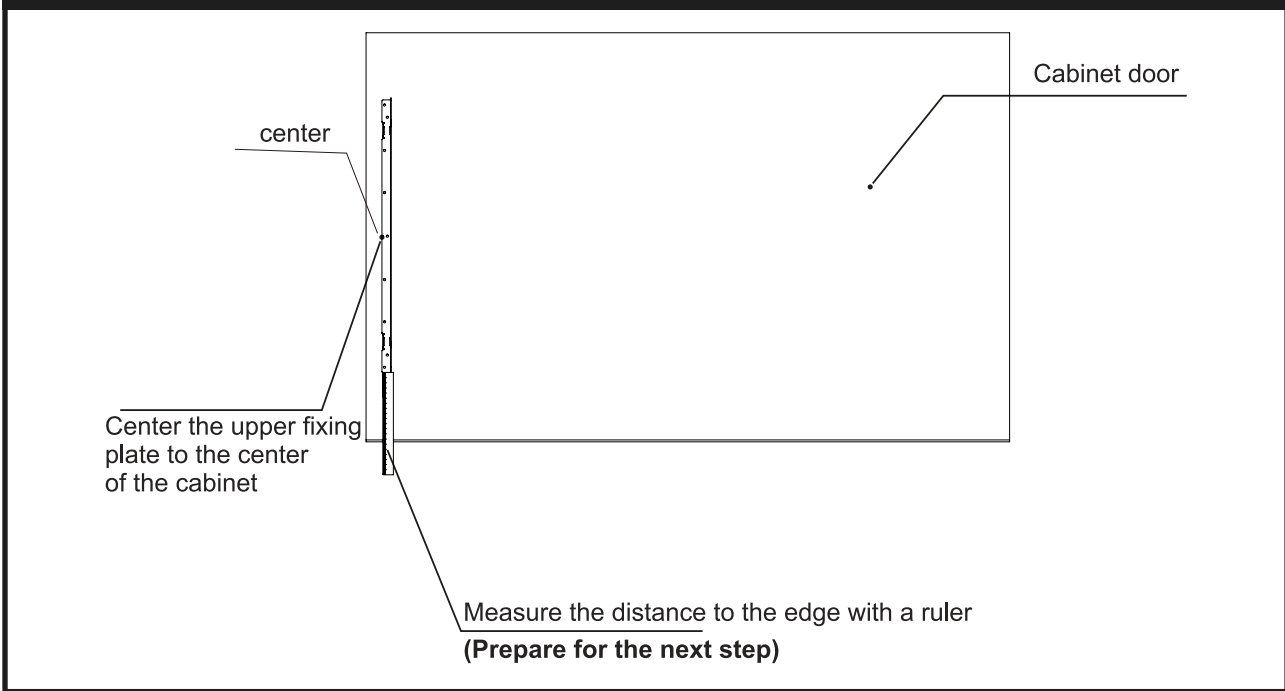
1. Install the door handle onto the cabinet door.
2. Measure the distance from fixing plate to cabinet top with a tape. (Prepare for the fourth step)
3. Firstly, install the cabinet door on the Product, loose and remove the hexagon flange nuts. Take down the upper fixing plate on the refrigerator door (refer to Fig. 6).

Fig. 6



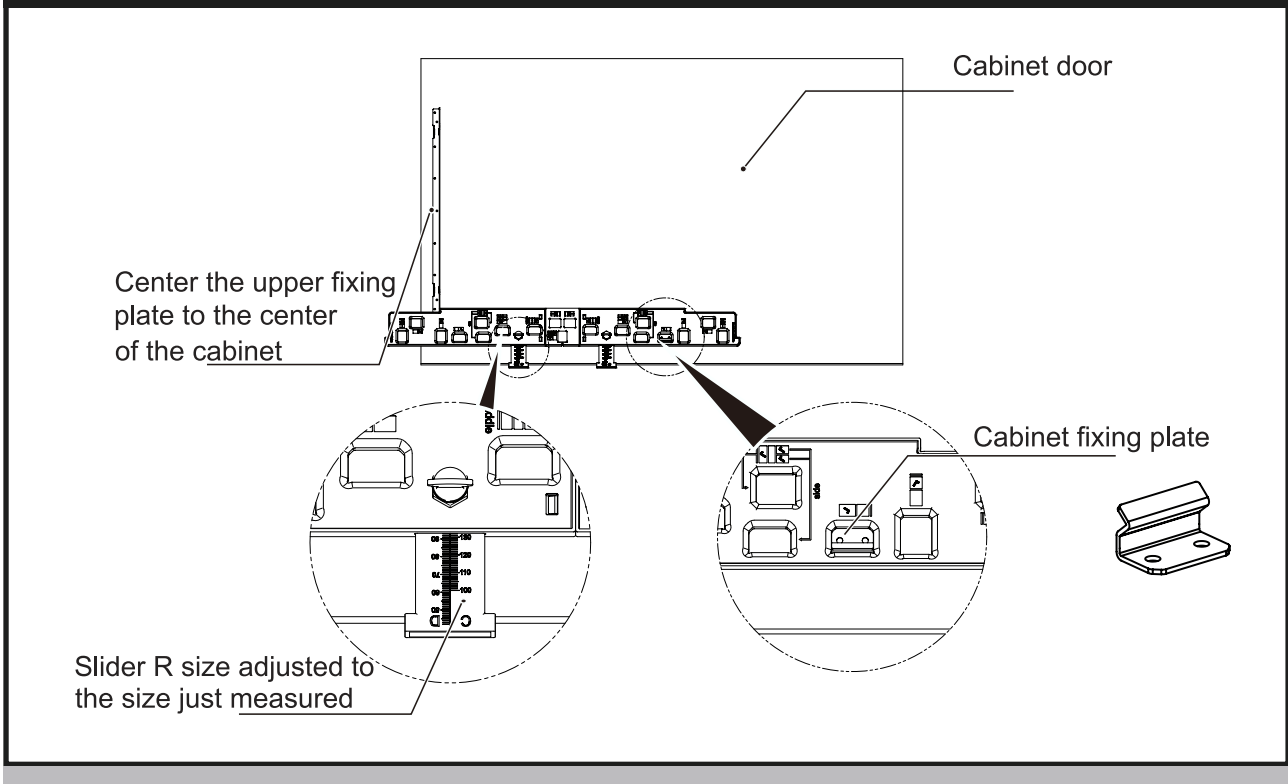
4. **Fixation of upper fixing plate and cabinet door:** Place the upper fixing plate onto the cabinet door, refer to the data measured in the second step. Align the center of the upper fixing plate with the center of the cabinet fixing plate, confirm the position of fixing plate on the cabinet door; fix the upper fixing plate and cabinet door with the cross recessed flat head tapping screws. (Refer to Fig. 7)
5. Measure the distance from the fixed cabinet upper fixed plate to the side, adjust the size shown in the work plate slider R to the position of the data just

Fig. 7



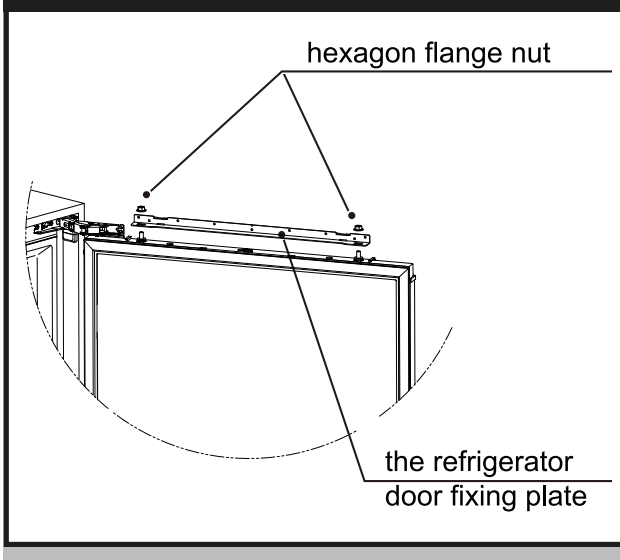
measured to lock the screw. Workpiece plate central limit a section fixed on the upper fixed plate, the cabinet fixed plate into the corresponding slot of the workpiece plate (according to the illustration 8 instructions Italian upper door in the middle), with a flat head self-tapping screws will be fixed cabinet fixed plate and cabinet cabinet door, left and right the same. (Refer to Fig. 8)

Fig. 8



6. Install cabinet door to the refrigerator door, suspend cabinet door on the refrigerator door. (Refer to Fig. 9)

Fig. 9



Adjustment of refrigerator cabinet door

1. **Vertical adjustment of cabinet door:** Rotate the refrigerator adjustment bolts clockwise/anticlockwise with an Allen wrench, to move the cabinet door up or down.
2. **Horizontal adjustment of cabinet door:** Rotate the lateral set screws of refrigerator door clockwise/anticlockwise with an Allen wrench, to move the cabinet to the left or right.
3. **Front/back adjustment of cabinet door:**
 - i. **Front/back adjustment at upper side of cabinet door:** Move the upper side of cabinet door to have front/back adjustment based on the

front/back clearance between upper fixing plate and refrigerator;

ii. **Front/back adjustment at middle side of cabinet door:** Move the cabinet door to the front/back until it reaches a proper position, then fasten the hex socket set screw at lateral sides of refrigerator door;

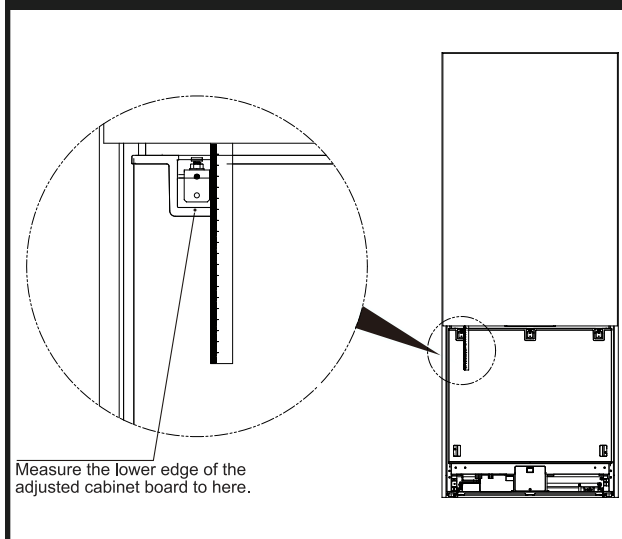
iii. **Front/back adjustment at lower side of cabinet door:** Make adjustment based on the front/rear clearance between the lower fixing plate and screws on fixing plate.

The adjustment above should be calibrated repeatedly to reach an acceptable status.

Installation of the cabinet door and the drawer door

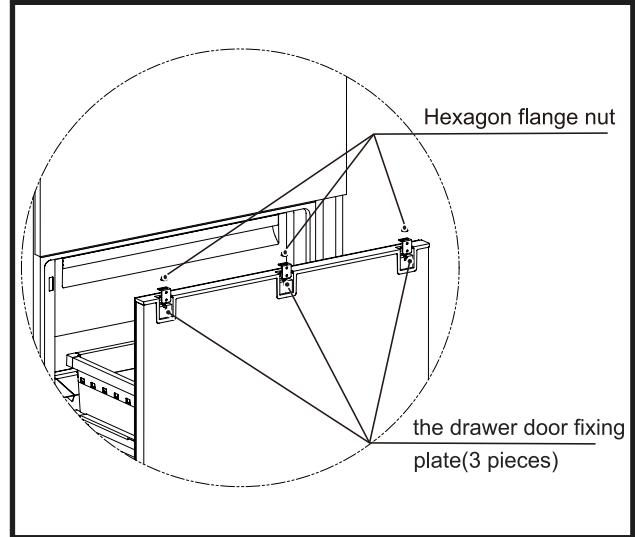
1. Attaching door handles to cabinet doors;
2. Using a tape measure, measure the distance between the lower edge of the adjusted refrigerated cabinet panel and the bottom of the drawer door end cap notch.(Refer to Fig. 10)

Fig. 10



3. Loosen and remove the hexagonal flange nut and the drawer door fixing plate(3 pieces). (Refer to Fig.11)

Fig. 11



4. The drawer on the fixed plate and cabinet door fixed: the work plate F size adjusted to the size of the above measurements, locking screw slider against the edge of the drawer cabinet door, the center of the work plate aligned with the center of the cabinet cabinet board, the drawer door on the fixed plate into the corresponding groove to the work plate, with a flat head self-tapping screws will be on the drawer door fixed plate fixed cabinet door and cabinet door fixed. (Refer to Fig. 12)
5. Measure the distance from the fixing plate on the fixed drawer door to the side of the cabinet panel.(Refer to Fig. 13)
6. The limit slot on the work plate is set at the fixing plate on the drawer door, the slider is leaning against the side of the cabinet door, put the cabinet fixing

plate, the corresponding slot on the work plate, and fix the cabinet fixing plate with the cabinet door with the flat head self-tapping screw, the same as the left and right. (Refer to Fig. 14)

Fig. 12

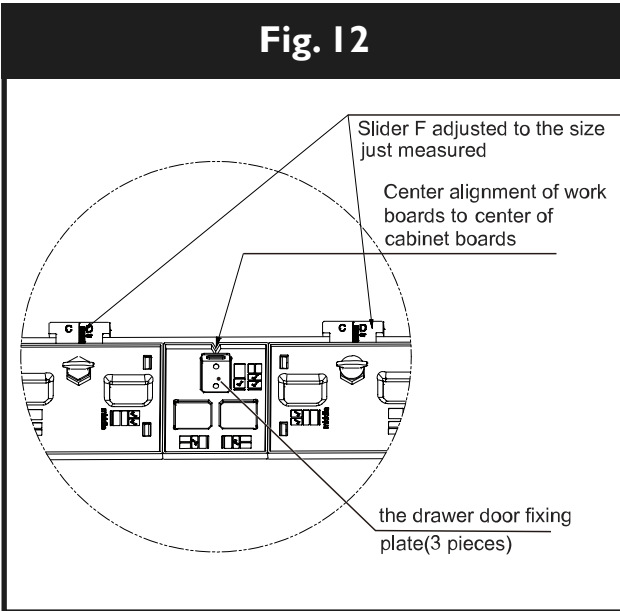


Fig. 13

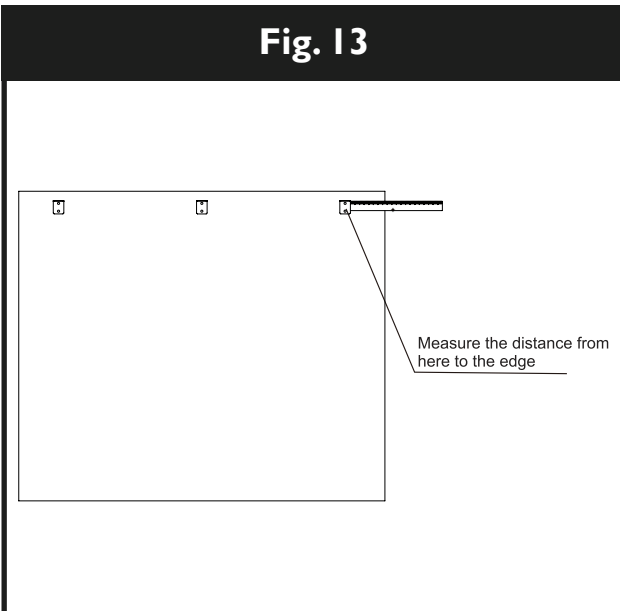
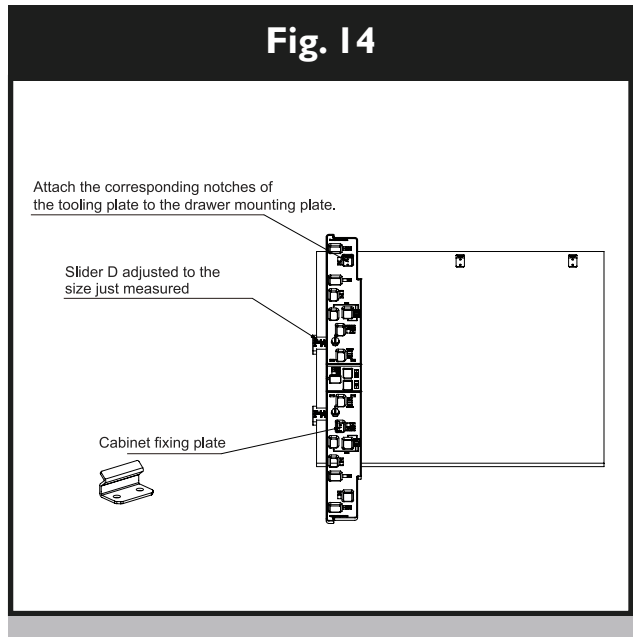
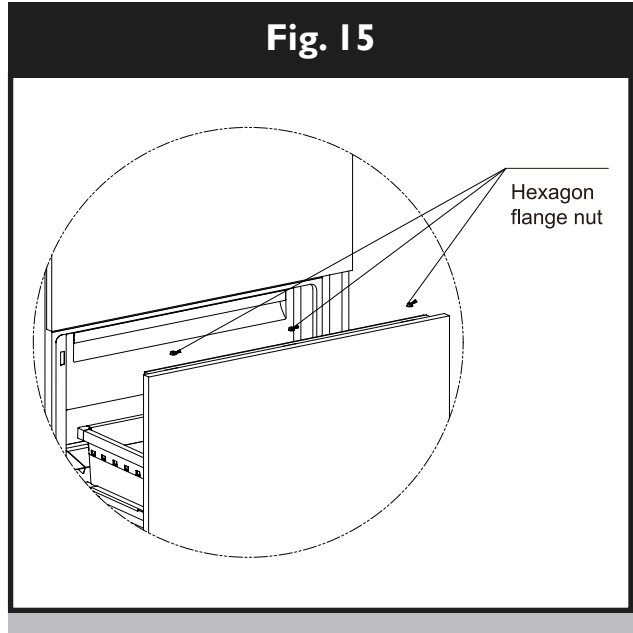


Fig. 14



7. After all the fixing plates of the cabinet door are fixed, suspend cabinet door on the drawer door (Refer to Fig. 15)

Fig. 15



Adjustment of drawer cabinet door

1. **Vertical adjustment of cabinet door:** Rotate the refrigerator adjustment bolts clockwise/anticlockwise with an Allen wrench, to move the cabinet door up or down.
2. **Horizontal adjustment of cabinet door:** Rotate the lateral set screws of refrigerator door clockwise/anticlockwise with an Allen wrench, to move the cabinet to the left or right.
3. **Front/back adjustment of cabinet door:**
 - i. **Front/back adjustment at upper side of cabinet door:** Move the

upper side of cabinet door to have front/back adjustment based on the front/back clearance between upper fixing plate and refrigerator;

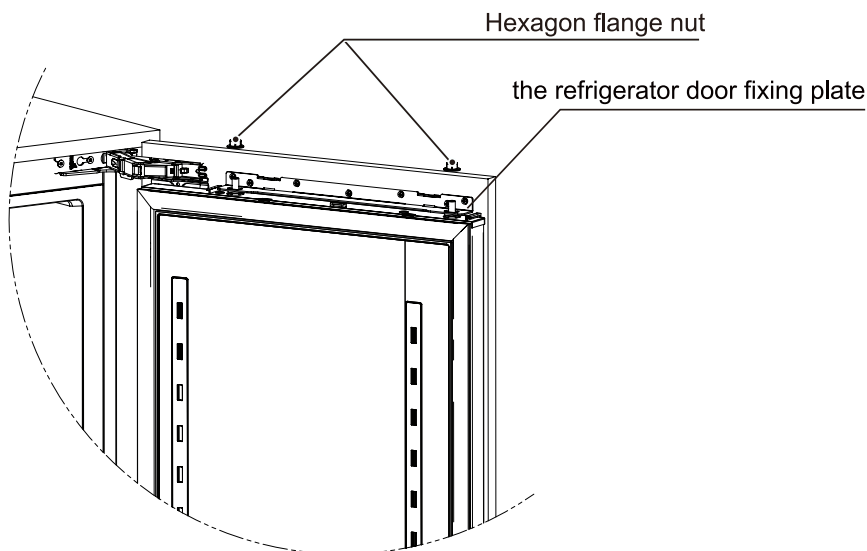
- ii. **Front/back adjustment at lower side of cabinet door:** Make adjustment based on the front/rear clearance between the lower fixing plate and screws on fixing plate.

The adjustment above should be calibrated repeatedly to reach an acceptable status.

Fixation of the cabinet door and the refrigerator door

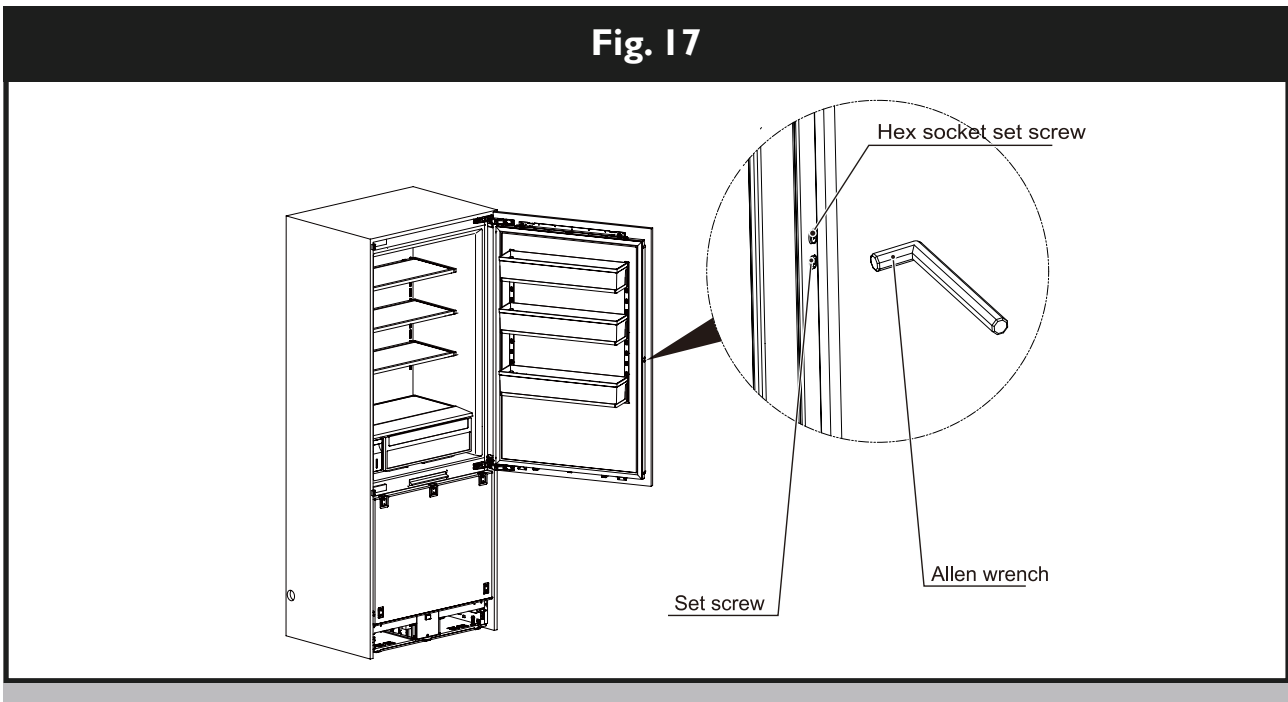
1. Fasten the hexagon flange nuts on the refrigerator door fixing plate; (Refer to Fig16).

Fig. 16



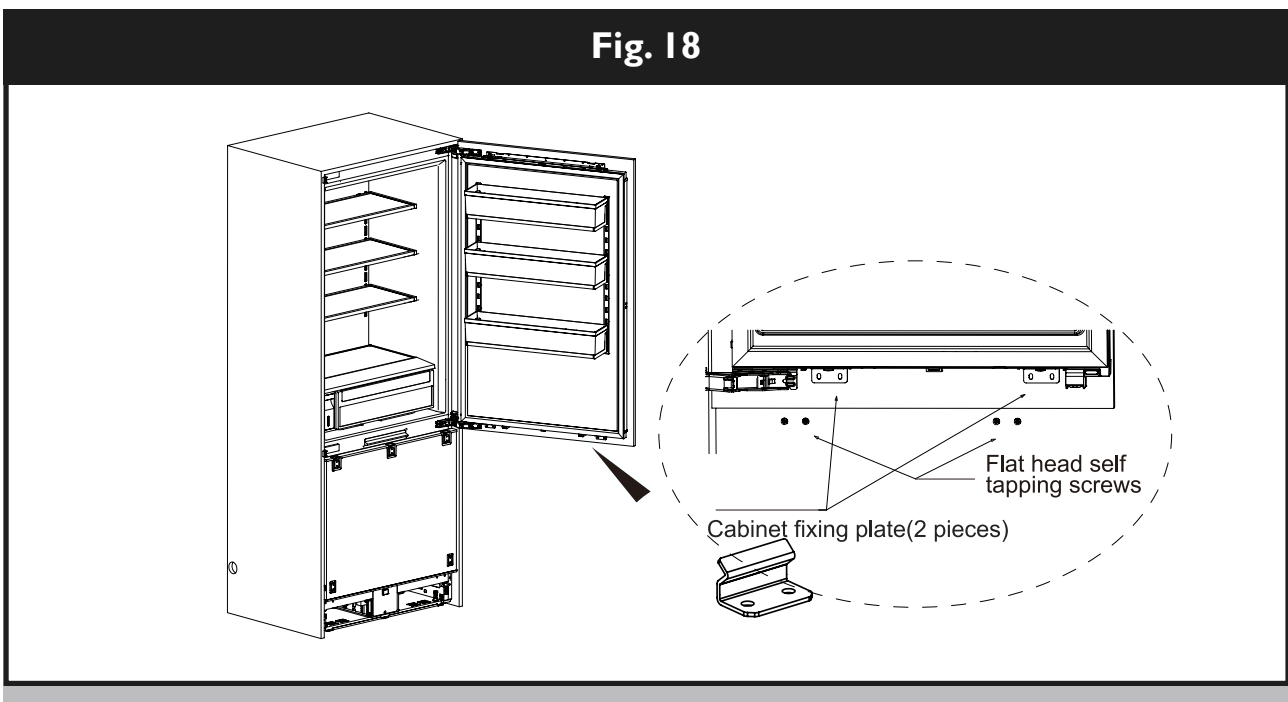
2. Fasten the lateral set screws and hex socket set screws on the side of refrigerator door (refer to Fig. 17)

Fig. 17



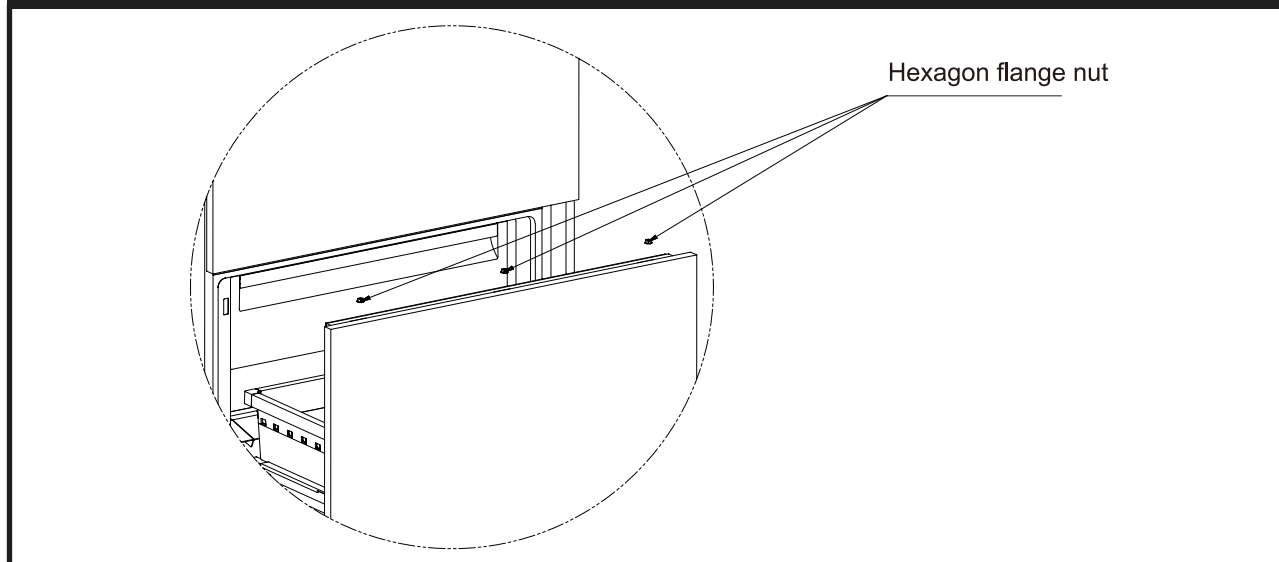
3. Slightly loosen the fixed hex socket set screws of lower fixing plate and refrigerator door, until the lower fixing can be moved to all directions; then fix the lower fixing plate and cabinet door with flat head self tapping screws. Adjust the cabinet door to a proper position and then fasten the socket head cap screws. (Refer to Fig. 18)

Fig. 18



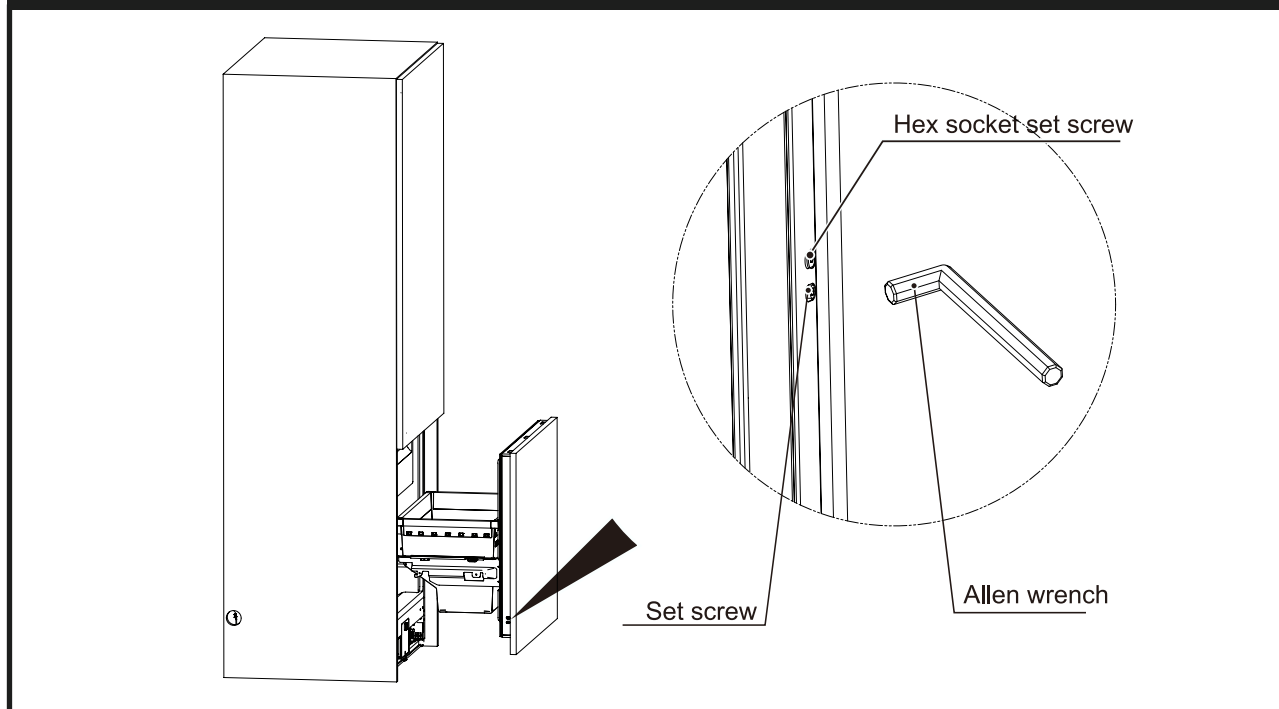
4. Fixing of the drawer door fixing plate and the cabinet door, then tighten the hexagonal flange nut on the door fixing plate. (Refer to Fig. 19)

Fig. 19



5. Fasten the lateral set screws and hex socket set screws on the side of the drawer door. (refer to Fig.20)

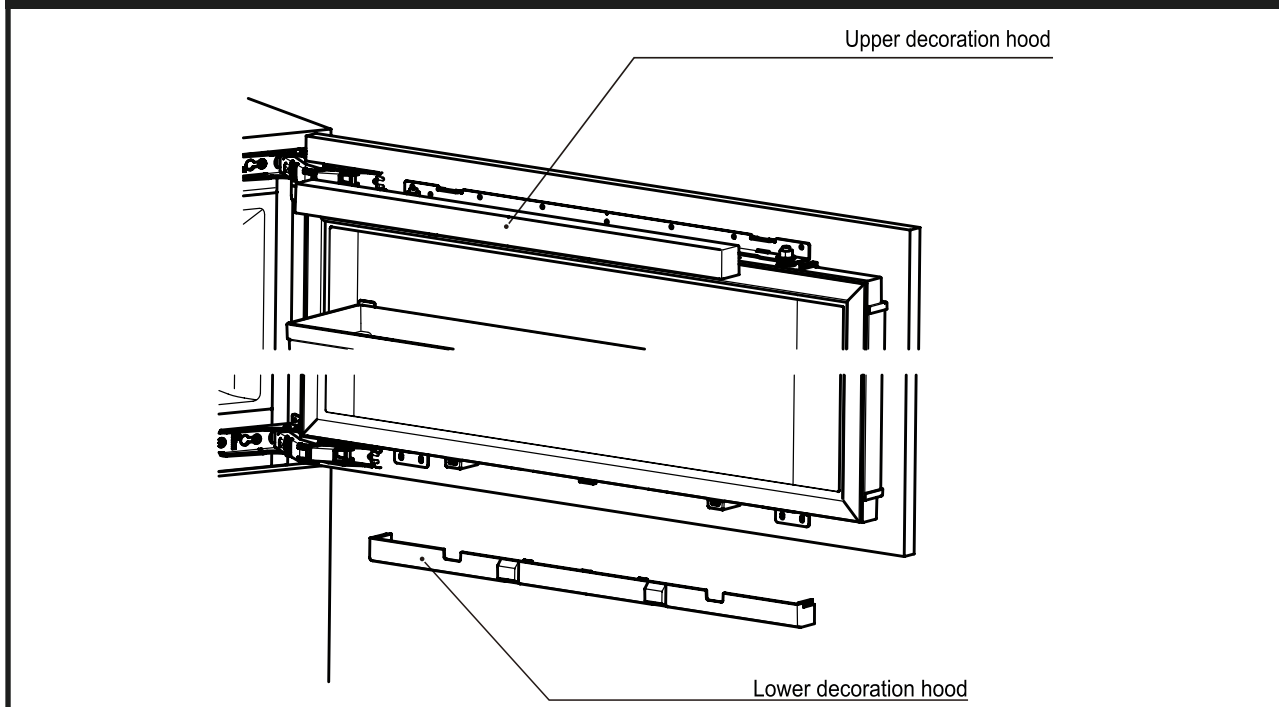
Fig. 20



Installation of refrigerator accessories

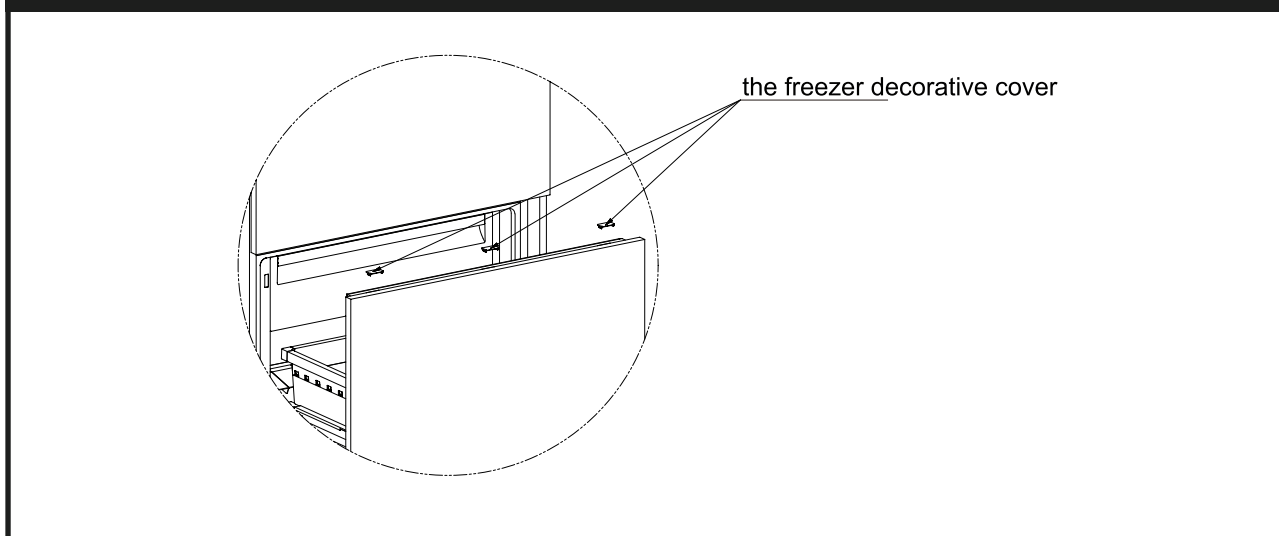
1. Insert the upper and lower trim covers onto the top and bottom end caps of the refrigerator. (Refer to Fig. 21 and 22)

Fig. 21 & 22



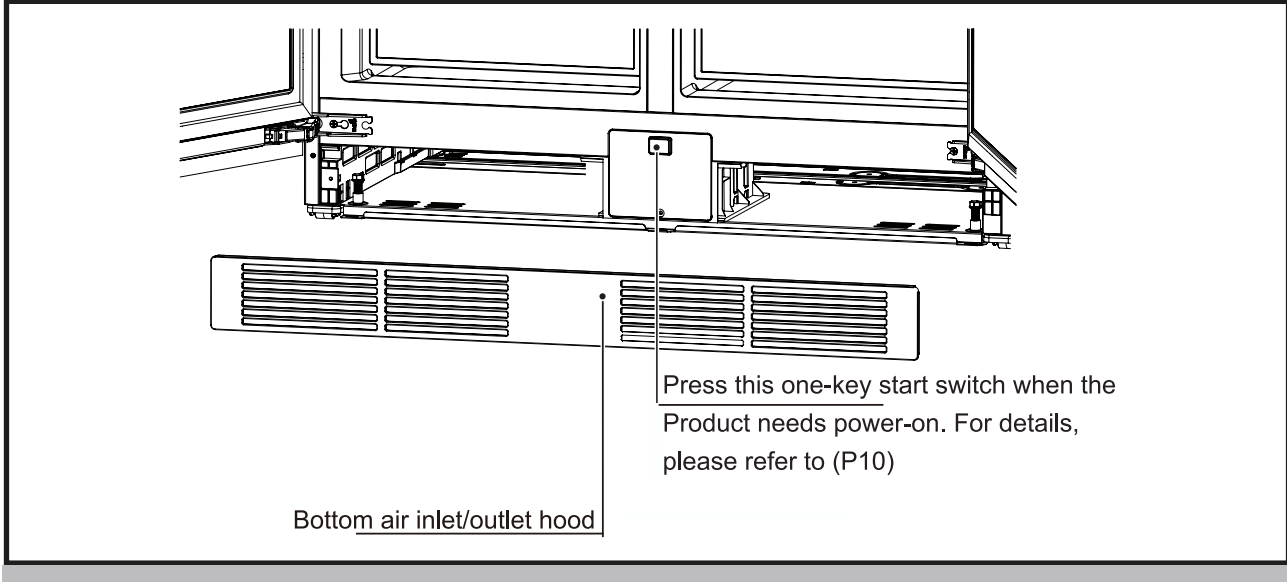
2. Attach the freezer decorative cover to the top of the drawer. (Refer to Fig. 23)

Fig. 23



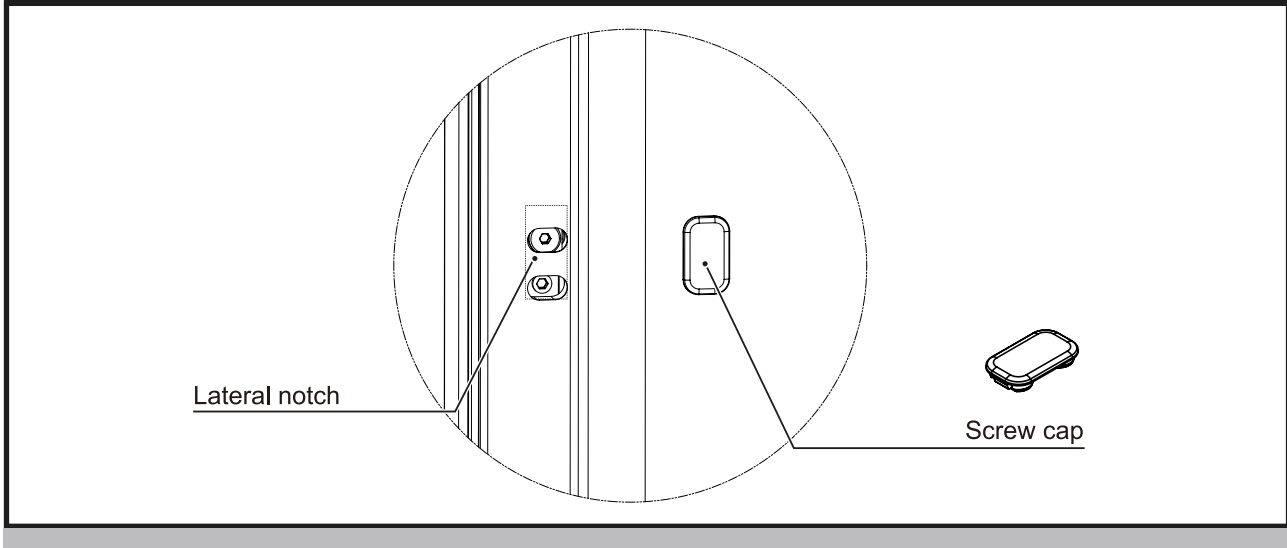
3. Insert the bottom air inlet hood into the lower part of the Product. (Refer to Fig. 24)
Note: The air inlet/outlet hood at bottom should not be blocked.

Fig. 24



4. Install the screw cap at the lateral notch on the side of the refrigerator door. (Refer to Fig. 25)

Fig. 25



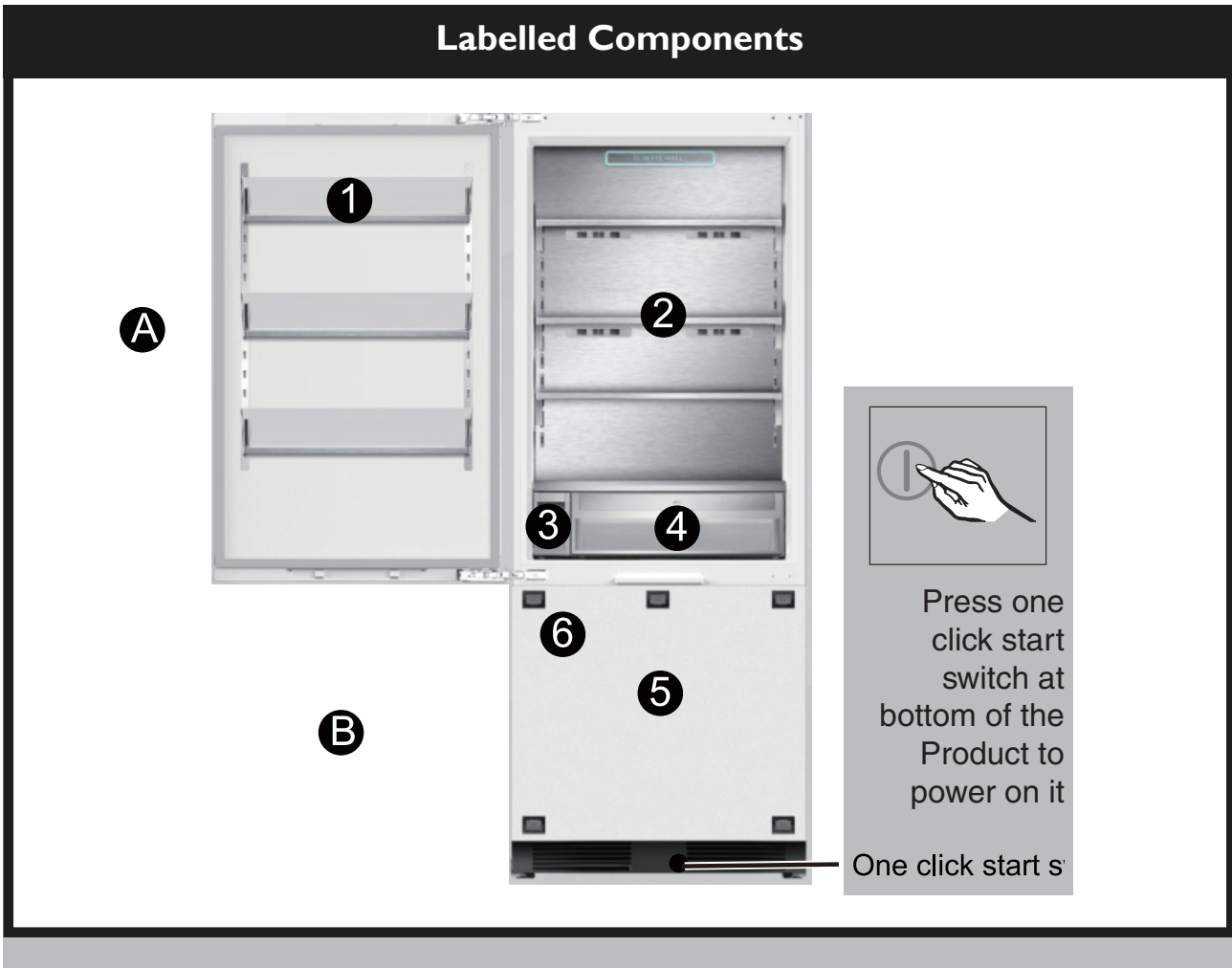
Power Requirements

Max Power Consumption	217 KWH/YEAR
-----------------------	--------------

Product Components

- The layout of items below are subject to change without notice, and may not look or come setup as seen in the picture below.
- The appearance and specifications of the actual product may differ depending on the model.

Labelled Components



B - Freezer Compartment

5 - Freezer drawer

6 - Ice maker (inside)

A - Refrigerator Compartment

1 - Refrigerator door rack

2 - Refrigerator glass shelves

3 - Refrigerator drinking machine

4 - Crisper

Refrigerator Compartment



The fridge compartment should mainly be used to store food that will be consumed in a short time.

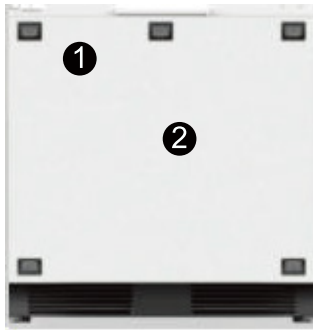
1 - Refrigerator door rack

2 - Refrigerator glass shelves

3 - Refrigerator drinking machine

4 - Crisper

Freezer Compartment



The freezing chamber is used to freeze foods, store deeply frozen foods and make ice cubes. It can preserve foods for a long time.

1 - Ice Maker (Inside)

2 - Freezer Drawer

- The refrigerator has the function of automatic ice making.
- When the freezer compartment reaches the set temperature, the ice maker can make the first batch of ice just for several hours.

⚠ CAUTION: When the ice maker is making ice cubes, you may hear the beep from water valve, flowing sound of water into ice maker, and falling sound of ice cubes. ice maker will make ice automatically; when the ice storage box is full of ice, the ice making process will stop automatically.

Caution

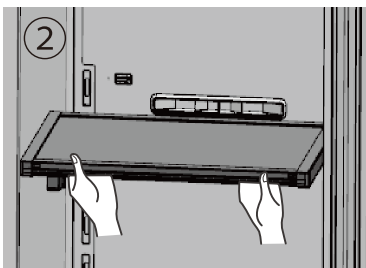
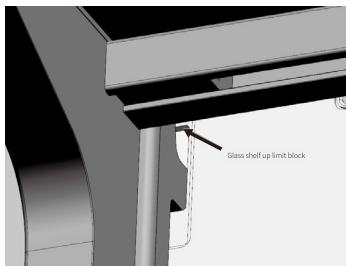
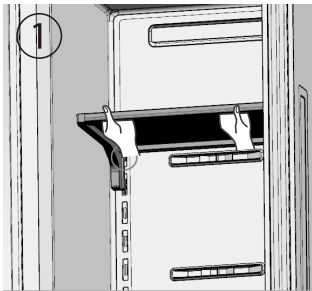
Ensure that food stored in refrigerator avoids direct contact with the liner. Especially Oily food, cause when the interior liner is stained with oil or oily food soup stains for long durations it may lead to the corrosion and cracking of the liner. The liner should be cleaned immediately in such situations to avoid deterioration.

- ① Two-star(**) frozen-food compartments are suitable for storing pre-frozen food,

storing or making ice-cream and making ice cubes.

- ① One star(*), two star(**) and three star(***) compartments are not suitable for the freezing of fresh food.
- ① If the refrigerating appliance is left empty for long periods, switch off, defrost, clean, dry, and leave the door open to prevent mould developing within the appliance.
- ① Please depend on the actual situation of the product.

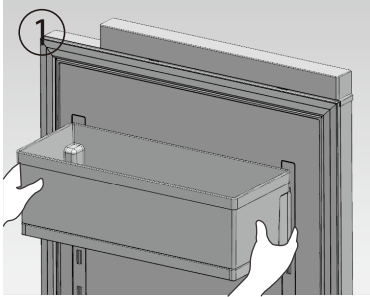
Glass Shelves



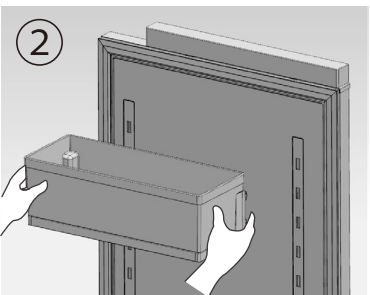
- Grasp the front end of the glass shelf with both hands, Lift up as a whole until the glass is resting. The rear end of the frame cannot be lifted (at the limit position), At this point, the glass shelf claws are completely detached, Remove the card slot and lift the glass throughout the entire process.
- The glass shelf is approximately 7mm.

- Just pull out the glass shelf outwards.

Door Rack



- Grasp both sides of the door rack with both hands and lift it up as a whole until the rear end of the door rack gets stuck. The claw completely disengages from the slot, and the entire process requires lifting the door rack by about 7mm.
- Just pull out the door rack outwards.



- The transparent body of the bottle frame and the aluminum alloy hanger can be separated, please pay attention when disassembling;
- The bottle frame design has a function of preventing accidental contact and detachment, and during disassembly, the lifting distance is too high. It is highly likely that the bottle frame cannot be pulled out outwards. It is recommended to remove the bottle in this case. Move the box slightly down before attempting to pull it out.

Product Features

This unit contains super freeze, energy-savings, noise reduction, optimal refrigeration as preset options for your unit.

Frost-free eco-friendly refrigerator

The refrigerant R600a and the blowing agent are hydrocarbons that do not destroy the ozone layer and do not contribute to the greenhouse effect. The freezer is automatically defrosted, saving the trouble of manual defrosting.

Precise temperature control

Microcomputer control systems are able to separately control both the fridge and freezer more accurately.

Energy saving and noise reduction

Integrating quick-freezing, energy-saving, noise reduction and other technologies, the refrigeration system is optimized to achieve energy saving and minimize noise.

LED display and touch buttons

The control board respectively displays the fridge and freezer temperatures. To change the setting in either section simply press the up or down arrow depending on the chance you would like made.

Door-open alarm system

If you leave any of your doors open for longer than 1-minute the alarm system will remind you to close the door.

Tempered glass, safe and reliable

Tempered glass, is safe and reliable, easy to clean and durable.

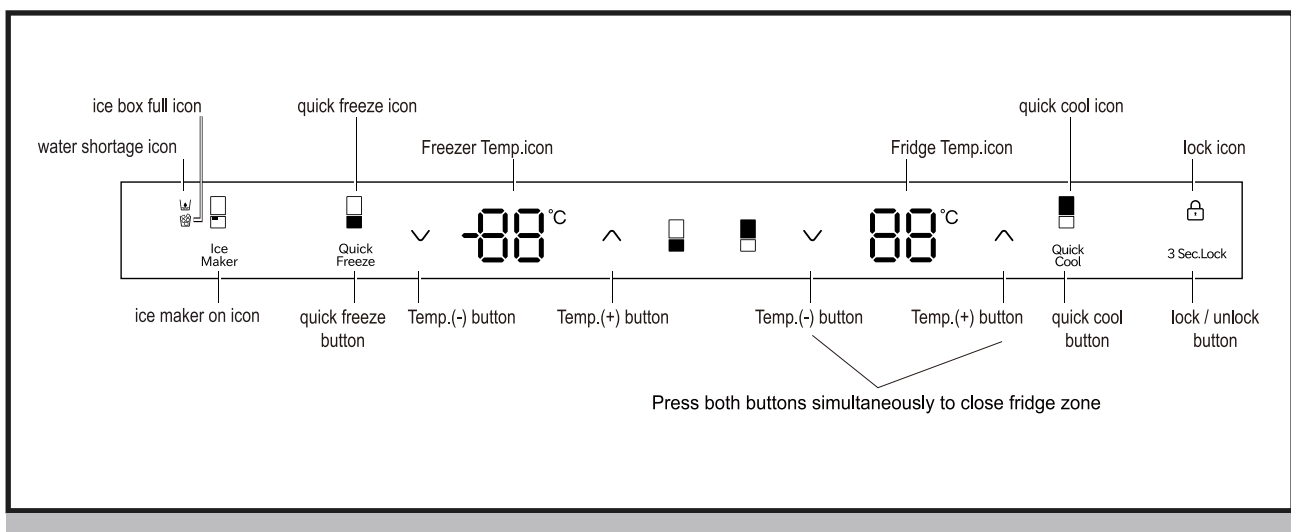
Automatic Ice Maker

The refrigerator has the function of automatic ice making.

Detachable Door Seal

Special detachable door seal, long life, strong adsorption, easy to clean.

Control Panel



Temperature Setting

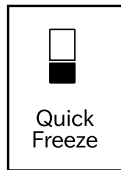
- Connect the power cord, and turn on the power switch.
- Upon startup for the first time, the screen will display respective set temperature values (the temperature of the fridge section is set to 5°C, the temperature of the freezer is set to -18°C). The default mode is energy saving upon startup: The screen displays for 30s and then goes off. This mode to save energy and prolong the service life of LED lights.

Freezer zone setting



Freezer zone temperature range: -15°C - -23°C;
Press or to adjust the freezer zone temperature.

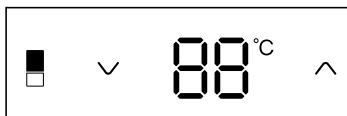
Quick freeze



Press Quick freezer button, the icon will be illuminated, and the freezer temperature will be display -23°C .

After running for a certain period of time or temperature, the function will automatically exit.

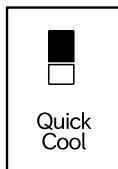
Fridge zone setting



Fridge zone temperature range: 2°C - 8°C ;

Press or to adjust the fridge zone temperature.

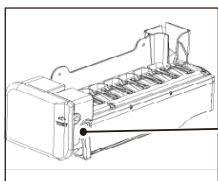
Quick Cool



Press Quick cool button, the icon will be illuminated, and the fridge temperature will be display 2°C .

After running for a certain period of time or temperature, the function will automatically exit.

Ice Maker



Switch on/off



ice box full icon

The ice maker and ice storage box are arranged at the upper part of freezing chamber. When using the ice maker, please make sure that the ice maker switch is turned on and the water tank is fill with enough water, and the ice maker will make ice automatically; when the ice storage box is full of ice, the ice making process will stop automatically.

The ice maker can make about 1,500g of ice every 24 hours. When the freezing chamber reaches the set temperature, the ice maker can make the first batch of ice just for several hours.

When the refrigerator is powered on, the ice maker switch automatically powers on, and the ICE ON/OFF icon lights up on the display.

When manually turning off the switch, the ice maker icon will turn off.

When ice storage box is full, the ice box full icon will light up. Ice maker stop working.

Add water to the water tank



water tank



water shortage icon

Please clean the water tank and fill it with water before powering on. **Warning:** Fill with potable water only.

After the refrigerator operates stably, the ice maker will make ice. Upon power-on for the first time, ice cubes are available after 12 hours.

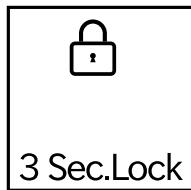
If there is a water shortage, the icon on the display panel will flash to remind you.

Do not exceed the maximum water level.(max.2.5L)

⚠ **Warning:** The water shortage icon will flash to remind you add water.

⚠ **Reminder:** If there is a water shortage alarm, please add water in a timely manner to avoid affecting normal ice making!

Lock







Press this button will enable lock mode and the lock icon will be visible.

While the refrigerator is in this mode the other buttons on the control panel will not function, when the buttons are touched,the lock icon will flash.

To exit lock mode press and hold the lock button for 3 seconds until the icon is no longer displayed.

Fridge compartment switch off/on

- Long press  or  button for 10 seconds to set fridge compartment on/off,when fridge compartment is switched off,the fridge temperature digital display will go off;under the fridge compartment switched off state, long press  or  button for 10 seconds to restart fridge function.

Open Door Alarm

- When the refrigerator door is open for above 1 min, the buzzer will alarm to remind you to close the door.

Note

- All button should be operated under the unlocked status, except for the cancellation of alarm sound; otherwise, the buzzer will have prompt sounds, the icons will be locked and flicker;

Instructions for storing food

Caution!

- ⚠ When storing freezing foods, put them to the inside of freezing chamber, other than the bottle rack.
- ⚠ Do not put bottled or canned foods into the freezing chamber to prevent frost cracking. Before putting hot foods into the refrigerator, cool them to room temperature first; otherwise, they will increase power consumption.
- ⚠ Mark the freezing date on the packaging bag according to different storage lives of foods, so as to prevent foods from exceeding the time limit.
- ⚠ Divide foods into proper pieces and package them separately, which are easy to freeze thoroughly and will not frozen together.
- ⚠ The packaging materials shall be odorless, airtight, watertight and pollution-free, so packaged foods are not easy to taint by other odor, without quality reduction.

- ⚠ Do not put too many fresh foods into the freezing chamber once, preferably not exceeding the freezing capacity value of refrigerator.
- ⚠ Melted foods can not be frozen again, unless they are made into dishes; otherwise, their service quality will be affected.
- ⚠ Glass bottles or glass containers shall not be placed into the freezing chamber or at the air outlet of refrigerating chamber duct; otherwise, they may explode.
- ⚠ Foods can not block the air outlet; otherwise, abnormal air circulation will be caused.

Storage of Foods

- Your appliance has the accessories as the “Structure illustration” showed in general, with this part instruction you can have the right way to storage your food. The glass shelves and crisper can be removed to store food if needed.

Note

Food is not allowed to touch directly all surfaces inside the appliance. It has to be wrapped separately in aluminum sheet or in cellophane sheet or in airtight plastic boxes.

- To achieve the most efficient use of energy for your appliance, combine the drawers, glass shelves and door shelves as shown in the Product components page.
- A temperature setting that is too high or too low can reduce the shelf life of your

food. This leads to greater food waste.

- Set the temperature in the fridge to +5 °C and fill the fridge in such a way that the temperature conditions inside are optimally utilised, guaranteeing optimal food storage.
- The following table show you how you can store foods in your appliance to keep them in the best possible condition over the longest possible period. This will mean that you avoid food waste:

Food	Location
Spreadable Butter, Cheese	Upper door shelves
Jams, jars, small bottles, tubes and eggs	Middle door shelves
Drinks cartons and bottles	Lower door shelves
Position full containers closer to the hinge in order to reduce the strain on the door.	
Fresh meat, game, poultry, bacon, cold meats and raw fish	Glass shelf / Vegetable drawer
The recommended storage time for meat is no more than 24 hours	

Freezing and storing food in the freezer compartment

- To store deep-frozen food.
- To make ice cubes.
- To freeze food.

Note

Ensure that the freezer compartment door has been closed properly.

Purchasing frozen food

- Packaging must not be damaged.
- Use by the 'use by /best before/best by' date.
- If possible, transport deep-frozen food in an insulated bag and place quickly in the freezer compartment.

Storing frozen food

- Store at -18°C or colder. Avoid opening the freezer compartment door unnecessarily.
- Freezing means reducing the core temperature of fresh, room-temperature food to frozen as quickly as possible.
- For best results 'flash-freeze'. If not cooled quickly enough, the food will be "killed by frost", i.e. the structure will be destroyed. A constant storage temperature of -18 °C is needed to maintain the food's consistency, taste and nutritional value.
- Freezing food has a positive effect on its shelf life.
- You can also avoid food waste in this way. Set the temperature in the freezer to -18°C and fill the fridge in such a way that the temperature conditions inside are optimally utilised, guaranteeing optimal food storage:
- Place food to be frozen in the freezer drawers or Glass shelf / door shelves

- The following foods are suitable for freezing:
 - Cakes and pastries, fish and seafood, meat, game, poultry, vegetables, fruit, herbs, eggs without shells, dairy products such as cheese and butter, ready meals and leftovers such as soups, stews, cooked meat and fish, potato dishes, souffles and desserts.
- The following foods are not suitable for freezing:
 - Types of vegetables, which are usually consumed raw, such as lettuce or radishes, eggs in shells, grapes, whole apples, pears and peaches, hard-boiled eggs, yogurt, soured milk, sour cream, and mayonnaise.

Recommended storage times of frozen food in the freezer compartment

These times vary depending on the type of food. The food that you freeze can be preserved from 1 to 12 months (minimum at -18°C).

Food	Location (Refrigerator Chamber)
Bacon, casseroles, milk	1 month
Bread, ice cream, sausages, pies, prepared shellfish, oily fish	2 months
Non-oily fish, shellfish, pizza, scones and muffins	3 months
Ham, cakes, biscuits, beef and lamb chops, poultry pieces	4 months
Butter, vegetables (blanched), eggs whole and yolks, cooked crayfish, minced meat (raw), pork (raw)	6 months
Fruit (dry or in syrup), egg whites, beef (raw), whole chicken, lamb (raw), fruit cakes	12 months

Defrosting

- This production has automatic defrosting function, without manual operation.

Cleaning

Precautions for internal and external cleaning of refrigerator:

- Before cleaning, always turn off the power switch, disconnect the power plug.
- During cleaning, make sure that no water will enter the switch, control panel, door lamp and top control box.
- Remove dirt from the outside of refrigerator with mild cleaner, then wipe with clean, soft cloth, and let the refrigerator dry naturally.
- When cleaning door sealing strip, always use clean water, wipe with dry cloth and let it dry naturally. Wet soft cloth with warm water or neutral cleaner to wipe the refrigerator body except the door sealing strip.
- It is forbidden to flush the refrigerator directly with water, which will affect electrical insulation properties, etc.
- It is forbidden to clean the refrigerator with metal wipers, wire brushes, coarse abrasive cleaners, strong alkaline detergents, or flammable or toxic cleaning fluids.
- After cleaning, connect the power plug of refrigerator, and connected with the refrigerator.

General Information

On Vacation

When you want to leave for vacation, you had better to make the refrigerator operate continuously and leave foods that can be stored for a short time. If you want to stop the refrigerator, remove all foods, disconnect the power plug, clean the inside of refrigerator fully, and open the door to avoid producing abnormal odors.

At Power Failure

Generally, short-term power failure will not affect the temperature of the refrigerator sharply. However, if power failure lasts for a long time, you shall reduce the opening frequency of refrigerator, and shall not put fresh foods into the refrigerator (prevent rise in the temperature of refrigerator from speeding up).

If you know power failure is coming, you can turn on the "Super Freezer" function in advance to keep the temperature of refrigerator to the lowest value.

Shutdown

Generally, it is not suggested to stop refrigerator or turn off the power switch; otherwise, the life of refrigerator may be affected.

Energy Saving Tips

- Make sure to keep the refrigerator away from heat source and direct sunlight.
- Before storing hot foods, cool them to room temperature and then put into refrigerator.

- Close the door timely, reduce the opening frequency, and shorten the opening time.
- When unfreezing frozen foods, you can put them into the refrigerating chamber, which will assist in refrigeration of the refrigerating chamber.
- Make sure that the temperature sensor is not covered or blocked by foods, and keep proper distance with foods.

Solving operational problems

- ① Before calling for service, review this list. It may save you both time and expense. This list includes common occurrences that are not the result of defective workmanship or materials in this appliance.

Problem	Reason	Solution
No display on the display panel	The mains plug of the appliance is not in the socket properly.	Check whether the power is on.
Alarm sound	Door is slightly open or not close more than 1 minute.	Close the door completely.
The compressor do not work	It's under defrosting mode. Power is not connected well.	It's normal for defrosting; Check whether the power is connected well.
Compressor runs too long	The fridge has recently been disconnected for a period of time; Put too much fresh or hot food; Doors are opened too frequently or too long.	It takes some hours for the fridge to cool down completely; Hot food will cause the fridge to run longer until the desired temperature is reached; Warm air entering the fridge cause it to run longer. Open the door less often.
Vibrating noise	Floor is uneven or weak; Items placed on the top of the fridge are vibrating; Fridge is touching wall or cabinets.	Be sure floor is level and solid and can adequately support fridge; Remove items; Move fridge so that does not touch the wall or cabinets;

Climate Class

- Extended temperate(SN): 'this refrigerating appliance is intended to be used at ambient temperatures ranging from 10 °C to 32 °C';
- Temperate(N): 'this refrigerating appliance is intended to be used at ambient temperatures ranging from 16 °C to 32 °C';
- Subtropical(ST): 'this refrigerating appliance is intended to be used at ambient temperatures ranging from 16 °C to 38 °C';
- Tropical(T): 'this refrigerating appliance is intended to be used at ambient temperatures ranging from 16 °C to 43 °C';

Note

For more data information, please scan the QR code on the energy label

Normal Phenomena

Button failure

Please check the control board whether the fridge under lock mode. When under lock mode, all buttons can't work.

Low voltage, the compressor can't start

You should purchase pressurizer of more than 1000W when the area of the appliance installation, that's better to protect your fridge.

Long time to start

When the ambient temperature too high, it will take long time to start the appliance.

Middle beams feel hot

Middle beams feel hot after a period of time of the appliance run, it belongs to the normal phenomenon.

Dew drops

When external air flows into the cool inner surface of the fridge, dew drops can be formed. If the humidity of the installed location is high or during the rainy season, dew drops can form on the outer side of the fridge. This is a natural phenomenon that occurs during the humid weather. Wipe the water drops with a dry cloth.

Noise

When you operate the fridge for the first time, the fridge will operate at high speed to cool fast, and the sound can seem louder. When the internal temperature falls below a certain level, the noise will subside.

When the operation of the compressor is starting or ending; various parts expanding/contracting or various control devices operating or temperature change within the fridge, you will hear the sounds, these are normal sounds.

Compressor hot

When working, the temperature of the compressor outer is more than 80 °C, please do not touch the compressor, it may cause serious injury.

Compressor long time running

When the ambient temperature too high or put too much fresh foods into the fridge, it will take long time to cool down until the appliance run at the setting temperature.

Technical Specifications

Voltage/Frequency	220-240 V 50 Hz
Product dimensions (width/depth/height)	756*572*1996 mm
Max Power Consumption	217 KWH/Year
Control Type	LED
Installation Type	Built In
Fridge Capacity	313 L
Freezer Capacity	114 L
Total Net Capacity	427 L
Compressor Type	Inverter
Noise Level	37 DB
Refrigerant Gas	R600A/66G
Ice Maker	Automatic
Net Weight (KG)	126 kgs

